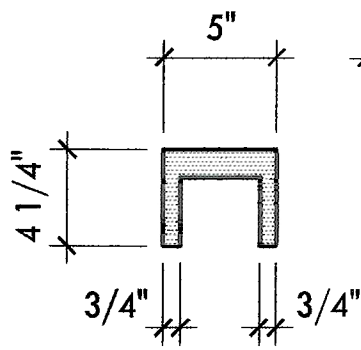


MILDEW-PROOF CAULK AT FLOOR  
 MIN 1" THK SOLID SURFACE LEDGER -  
 SECURE TO WALL W/(4) WOOD SCREWS  
 FIELD MEASURE

**PLAN**



**SECTION**

**ELEVATION**

SCALE- 1 1/2" = 1'-0"

**SPILLMAN FARMER**  
 architects



1720 SPILLMAN DRIVE, SUITE 200, BETHLEHEM, PENNSYLVANIA 18015-2169  
 TELEPHONE 610.865.2621 FACSIMILE 610.865.3236 WWW.SPILLMANFARMER.COM SPILLMAN@SPILLMANFARMER.COM

PROJECT NO. 1196.2B  
 CAD FILE NO. CDE SK25.dwg  
 DATE: 4-28-2011  
 REV -  
 NOTES:  
 DO NOT SCALE DRAWINGS.  
 CONTRACTORS SHALL VERIFY ALL  
 DIMENSIONS BEFORE  
 INSTALLATION.  
 DRAWINGS NOT VALID UNLESS  
 PROFESSIONAL SEAL IS AFFIXED.  
 COPYRIGHT 2011 SFSFW

PROJECT COLONNADES  
 RESIDENCE HALLS C, D & E  
 OWNER - ELON UNIVERSITY  
 ELON, NORTH CAROLINA

REMOVABLE CURB  
 AT SHOWERS

**SK  
 25**